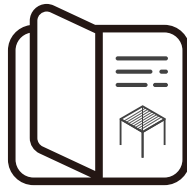


DELUXE PGOLA FREE STANDING

INSTRUCTION MANUAL.

3x4

We appreciate your purchase of our Pergola.



Instruction Manual

This guide will give you step-by-step instructions on how to assemble and care for your pergola, ensuring it lasts for years of enjoyment and reliable use.

IMPORTANT:

Warning: Safety Instructions

For the safety of individuals, it is crucial to follow these instructions. Please retain them for future reference.

For children aged 8 years and older, as well as individuals with reduced physical, sensory, or mental abilities, or those lacking experience and knowledge, provided they have received proper supervision or instruction on how to use the appliance safely and are aware of the potential hazards.

Children should not be allowed to play with the appliance. Cleaning and maintenance tasks should only be performed by children under supervision.

This pergola is designed for outdoor residential use, providing protection from direct sunlight, glare, and heat.

Any use or modification not outlined in this manual is considered improper and could pose significant risks to both users and property. Such actions will void the product warranty.

BEFORE THE INSTALLATION

PREPARE ALL THE NECESSARY TOOLS

To assemble your pergola properly and safely, make sure you have the following tools and accessories on hand, as these are not included.



2 step ladders



Protective gloves



Hexagonal spanner/wrench set



Phillips screwdriver



Hammer



Tape measure



Hard hat



Box cutter



Hammer drill



Spirit level



Cordless screwdriver



Scissors

CHECK FOR MISSING PARTS:

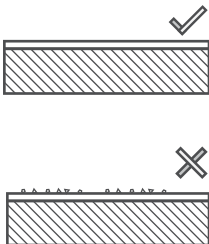
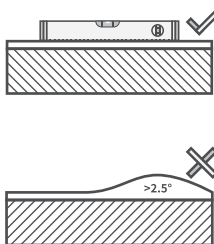
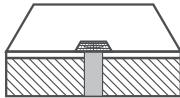
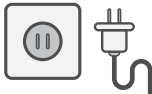
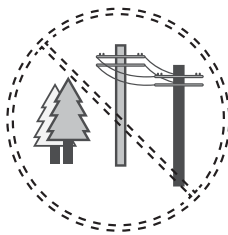
Before starting the installation, verify that you have all the necessary parts to assemble your e-Motion. Double-check that the quantity of parts matches the model you purchased.

If any parts are missing, please reach out to customer service before proceeding with the installation.

PREPARE THE PARTS FOR EACH STEP:

In the Installation section of the manual, each step specifies the parts and quantities needed. We recommend gathering the necessary parts ahead of time for each step. This will help save you time and make the assembly process smoother. To avoid damaging the painted surfaces, place the parts on cardboard or another soft surface if possible.

CHOOSE AN APPROPRIATE LOCATION:

| | | | | |
|---|--|---|--|--|
|  |  |  |  |  |
| The ground should be solid and level. | The ground must be flat and even. | Ensure there is adequate water drainage in the area. | Make sure the location has easy access to power, if needed | Avoid areas with overhanging trees or powerlines. |

WARNING:

Many terraces or patios are built with a slight slope to direct rainwater away from the house or other structures. For proper pergola installation, a completely level surface is required. Small pebbles or uneven ground may prevent the pergola from being securely anchored.

If the pergola is installed on an uneven surface, it may affect the performance of accessory components and could void the product warranty. You may also need to adjust the height of the pillars for proper installation.

PREPARE THE FOUNDATION:

To get your foundation ready, make sure to:




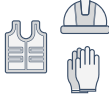



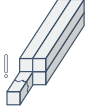
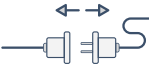
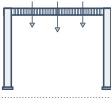
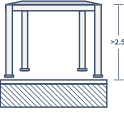



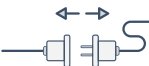


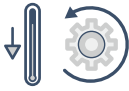
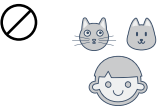

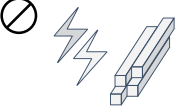

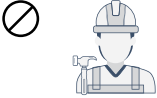

Check for underground pipes and cables (call local relative authorities before digging).

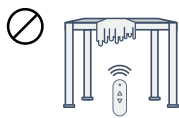
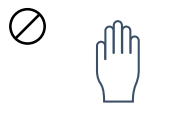
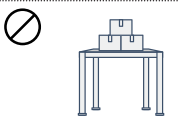
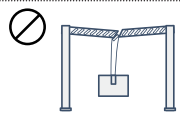

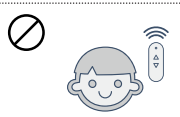
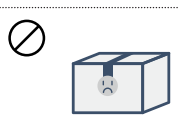
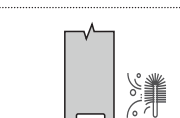


Verify with local authorities if any building permits are necessary.

If you're opting for a concrete base, consult with a reputable contractor.

IMPORTANT SAFETY SUGGESTIONS

To ensure the safety of everyone involved in the installation and use of the pergola, it is essential to follow the safety guidelines listed below.

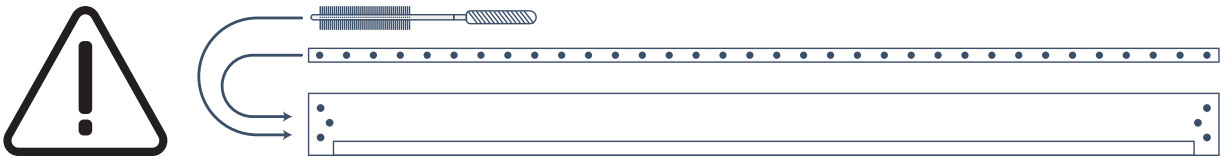
| | | | |
|---|---|---|---|
|  | <p>The pergola must be placed and secured on a flat, level surface.</p> |  | <p>Always wear suitable work shoes, gloves, and eye protection during assembly.</p> |
|  | <p>When using power tools or a ladder, always adhere to the manufacturer's safety instructions.</p> |  | <p>Always wear protective gear to minimize the risk of injury in case of a fall.</p> |
|  | <p>Ensure the pergola meets local building regulations and codes.</p> |  | <p>Do not step on the louvers.</p> |
|  | <p>Use only ladders and scaffolding that can support the required weight.</p> |  | <p>Visually inspect the pergola for damage prior to each use. If damage is detected, stop using it immediately and reach out to authorized personnel to fix it.</p> |
|  | <p>Remove any excess cords and disconnect any non-essential equipment before installing the drive.</p> |  | <p>To avoid damage, set the louvers in the vertical position during snow or windy conditions.</p> |
|  | <p>Unprotected moving parts that pose a hazard should be installed more than 2.5 meters above the floor or any surface that could allow access to them.</p> |  | <p>Always use replacement parts that are approved by the manufacturer.</p> |
|  | <p>To avoid damage to the pergola, ensure that foliage or foreign objects on the louvers and in the guide rails are removed frequently.</p> |  | <p>Only certified personnel are authorized to carry out electrical installation, following the relevant regulations</p> |
|  | <p>Disconnect all electrical connections from the mains prior to installation.</p> |  | <p>Operate the pergola remotely only when you can see the moving parts clearly.</p> |
|  | <p>Only a licensed electrical contractor should install the power sources for electric pergolas.</p> |  | <p>If the motor undergoes repeated open-close cycles, it may enter overheat protection mode and will return to normal once it cools down.</p> |
|  | <p>Keep children and pets away from the assembly area until the installation is fully completed.</p> |  | <p>Dispose of all plastic bags responsibly and keep them out of reach of children.</p> |
|  | <p>Keep a safe distance from power lines, especially when handling metal parts.</p> |  | <p>Avoid assembling the pergola in windy or wet conditions.</p> |
|  | <p>In the event of a damaged supply cord, only the manufacturer, a service agent, or similarly qualified personnel should replace it</p> |  | <p>Do not store hot items, such as recently used grills or blowtorches, under or near the pergola.</p> |

| | | | |
|--|--|---|--|
|  | To prevent damage to the louvers' drive, do not operate the roof mechanism in the presence of frost or ice. |  | Keep clothing and body parts clear of the pergola to avoid them becoming caught in the moving parts. |
|  | Keep items off the louvers. |  | It is not allowed to hang objects on the pergola, as it may result in serious damage. |
|  | Before making any modifications to the design or configuration of the equipment, consult the manufacturer or an authorized representative. |  | Keep children away from the fixed controls and ensure remote controls are out of their reach. |
|  | The warranty will be voided, and the operating mechanism may be damaged if non-original branded accessories are installed. |  | Please keep the drainage holes of the column clean by brushing them regularly with a soft brush. |
|  | We guarantee the resistance of the pergola for winds up to 80km/h |  | We guarantee the resistance of the pergola for a maximum snowweight of 50kg/m2 |

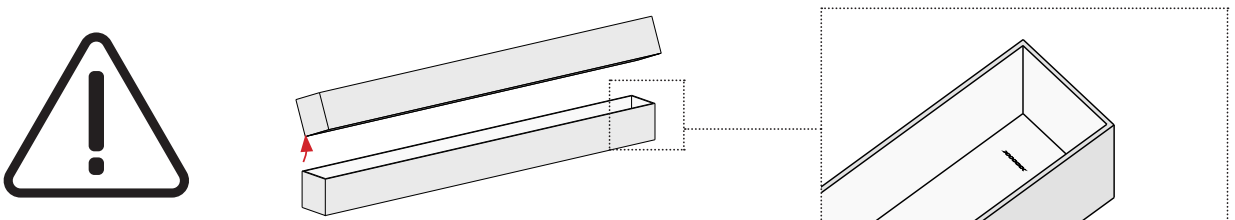


2 PERSONNEL REQUIRED

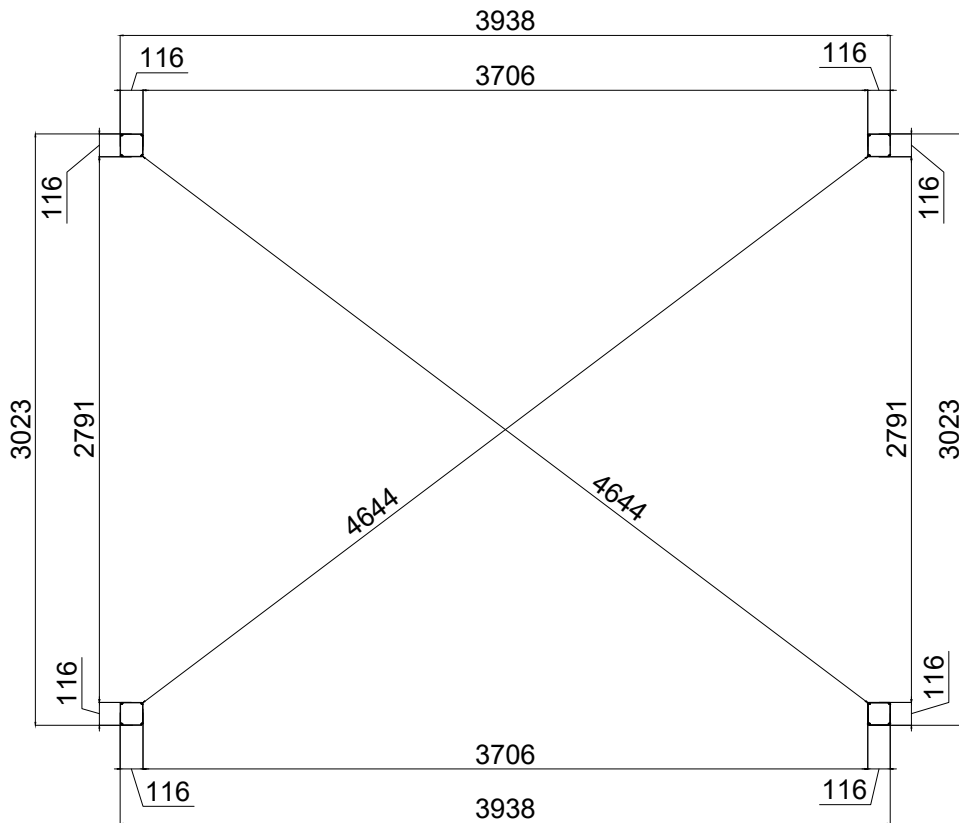
Connecting bar & brush are in the cavity of the beam.



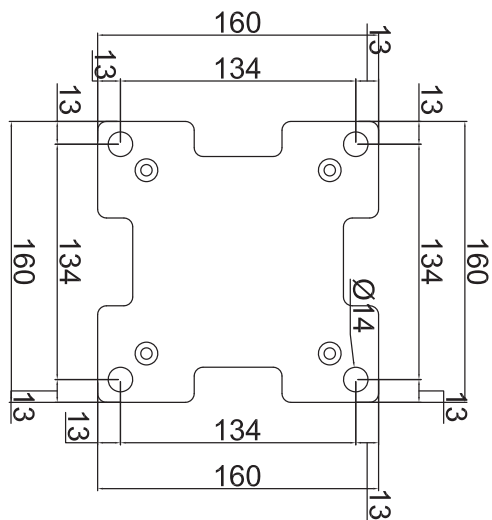
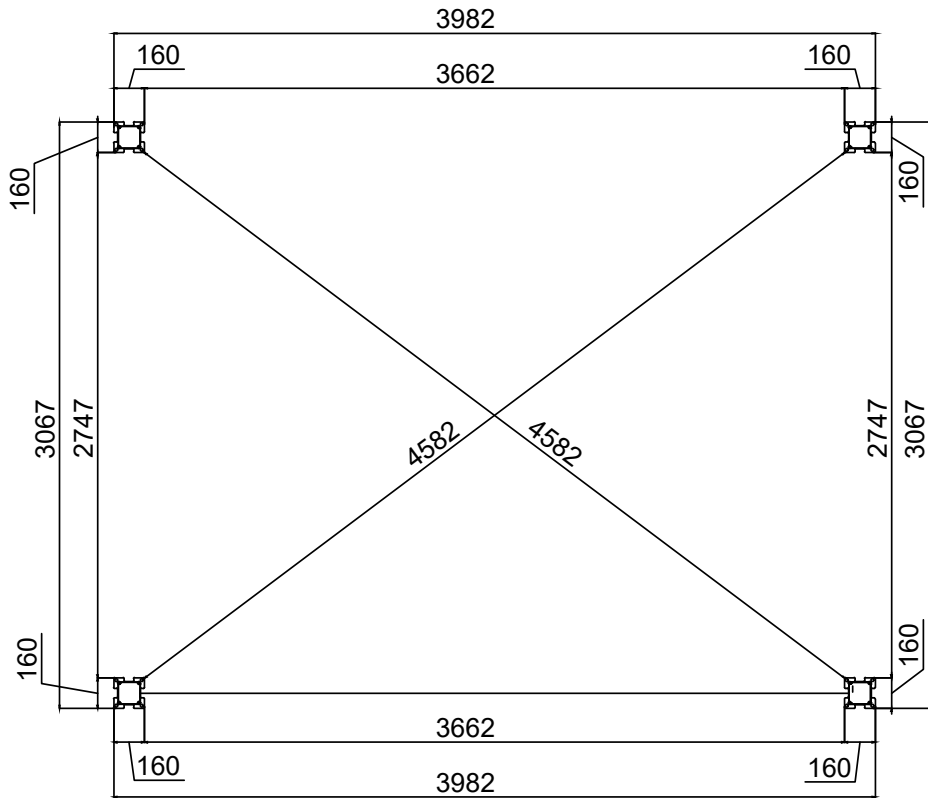
There is a Product Tracking Number in the inner side of the carton(see below diagram). For better and efficient after-sales in the future, when tear down the carton box, please take a photo of the Tracking Number and save the photo.



Plane size




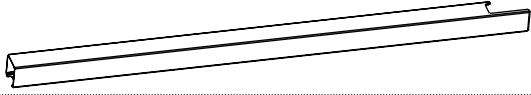

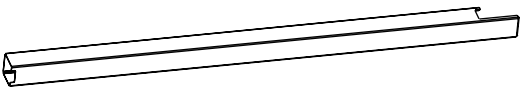
Base Plate Layout Plan


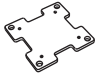


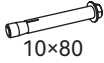


Spare Part List

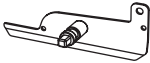
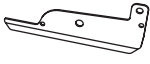
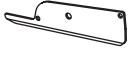

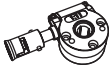



3X4

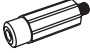











CARTON 1/4

| No. | Profile | Diagram | Size | QTY |
|------|---|---|---------------------|-----|
| AO |  |  | 116X116 L=2550mm | 2 |
| AO-2 |  |  | 116X116 L=2550mm | 2 |

| No. | Diagram | QTY |
|-----|---|-----|
| IO |  | 4 |
| JO |  | 4 |

| No. | Diagram | QTY |
|------|---|-----|
| TO |  10x80 | 16 |
| XO-1 |  6x35  4mm | 16 |



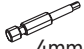

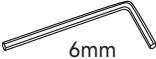

| No. | Diagram | QTY |
|------|---|-----|
| KO |  | 1 |
| LO |  | 24 |
| LO-1 |  | 25 |
| MO |  | 49 |
| NO |  | 1 |
| OO-1 |  | 1 |
| OO-2 |  | 1 |
| PO |  | 1 |

| No. | Diagram | QTY |
|-----|--|-----|
| QO |  6mm  | 24 |
| RO |  | 24 |
| SO |  | 50 |
| UO |  lock nut | 74 |
| WO |  4x16  | 100 |
| XO |  6x40  | 49 |
| VO |  | 25 |
| YO |  6x45  | 3 |












Spare Part List

3X4

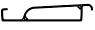

CARTON 1/4

| No. | Diagram | QTY | No. | Diagram | QTY |
|------|--|-----|------|--|-----|
| ZO-1 |  4mm | 1 | ZO-4 |  6mm | 1 |
| ZO-2 |  4mm | 1 | ZO-5 |  10mm | 1 |
| ZO-3 |  6mm | 1 | ZO-6 |  PH2 | 1 |

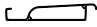

CARTON 2/4

| No. | Profile | Diagram | Size | QTY |
|------|---|---|--------------------|-----|
| BO-3 |  |  | 75X153 L=3809mm | 1 |
| BO-4 |  |  | 75X153 L=3809mm | 1 |
| CO-3 |  |  | 75X195 L=2894mm | 2 |
| DO |  |  | 42X54 L=3809mm | 2 |
| FO |  |  | 27X8 L=3650mm | 1 |
| HO | |  | L=1300mm | 1 |

CARTON 3/4

| No. | Profile | Diagram | Size | QTY |
|-----|---|---|--------------------|-----|
| GO |  |  | 166X30 L=2855mm | 13 |

CARTON 4/4

| No. | Profile | Diagram | Size | QTY |
|-----|---|---|--------------------|-----|
| GO |  |  | 166X30 L=2855mm | 12 |

Before proceeding with the assembly of your louvered pergola, it is necessary to check that all parts listed are supplied and not damaged.

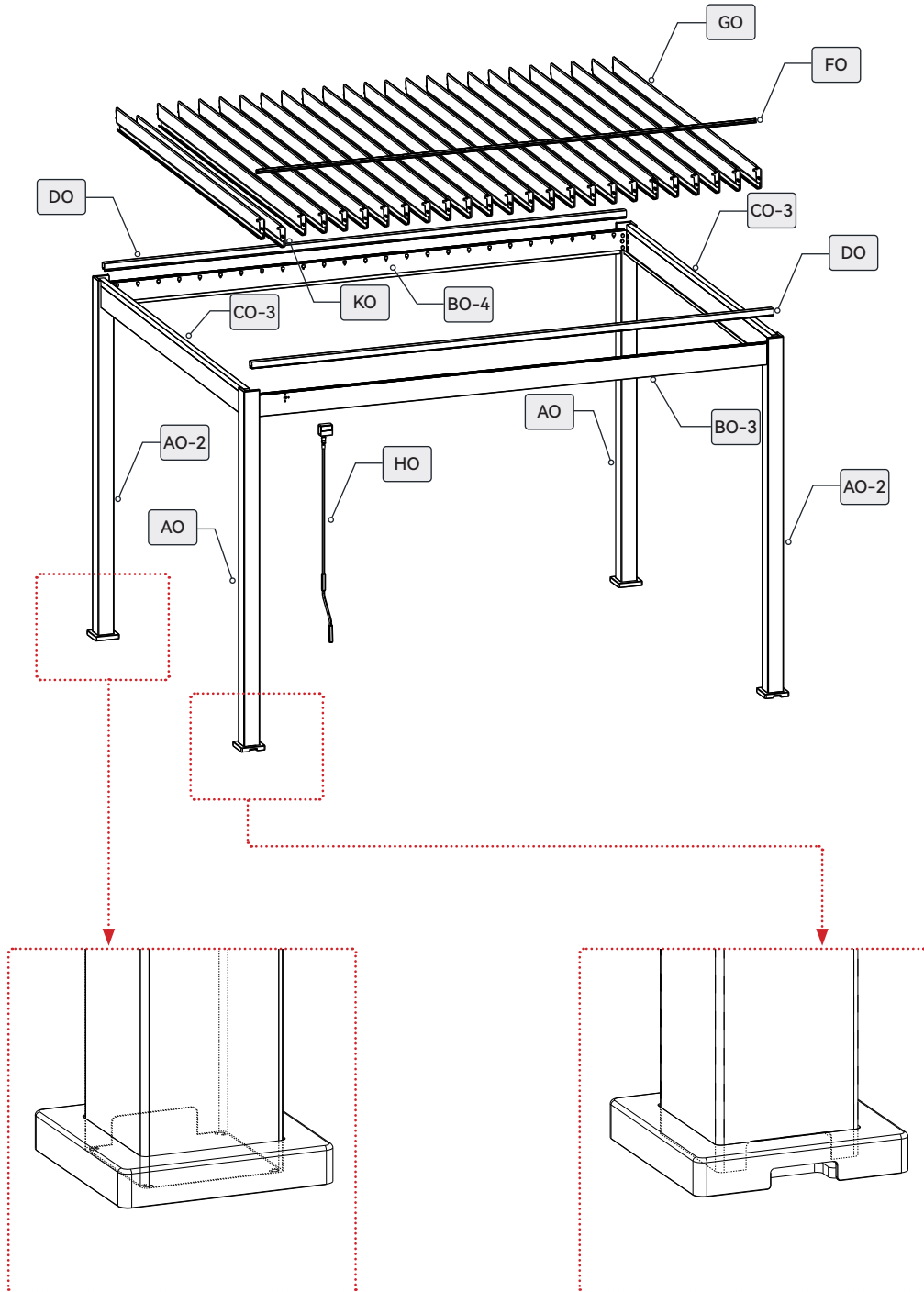
Any missing part must be reported within 10 days of delivery.

You can either go through your local outlet store or make the request directly on our website.







Do not discard the packaging without ensuring that the product is functioning properly.




Attention:

Please note that the outlet on the skirt should be in the front position for the front side, while for the rear side, the outlet is a mirror image of the front face.



The illustration uses a manual wrench, which can be replaced with an electric P-tip.

| | | | | | |
|------|---|----|----|---|----|
| KO |  | 1 | MO |  | 49 |
| LO |  | 24 | XO |  6x40 4mm | 49 |
| LO-1 |  | 25 | UO |  lock nut | 49 |

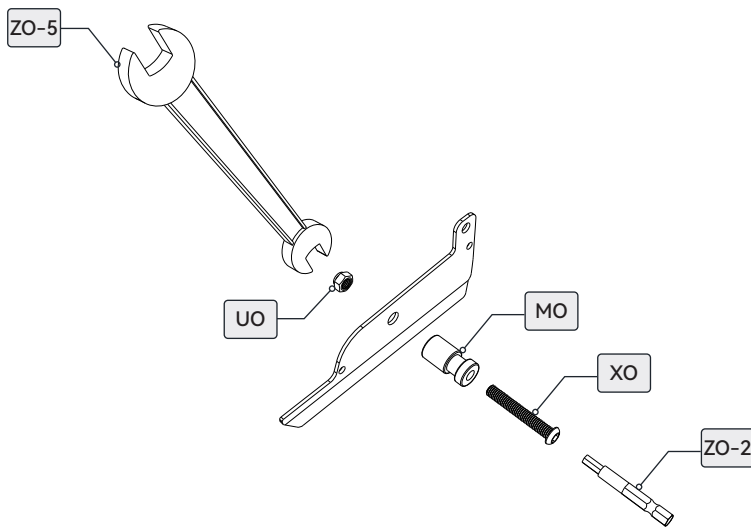
| | |
|------|---|
| ZO-1 |  4mm |
| ZO-2 |  4mm |
| ZO-5 |  10mm |

Attention:

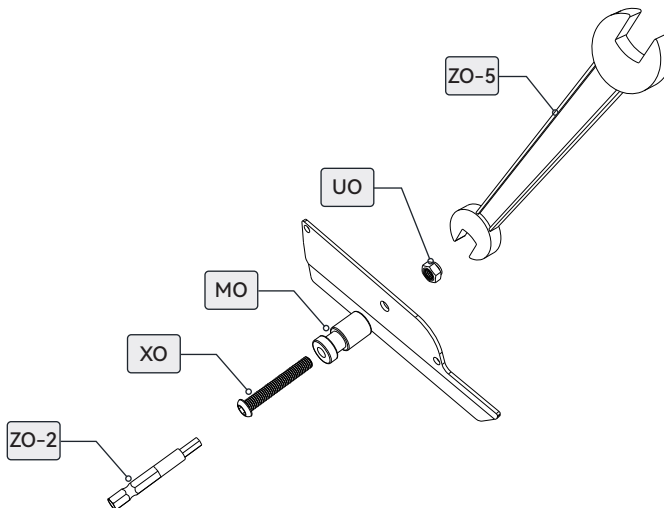
Install the spindles for the cover on two ends of the louvers.

Note: To avoid any broken of the plastic parts(MO), when use the pistol drill, please reduce the twisting force of it .




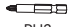
X24



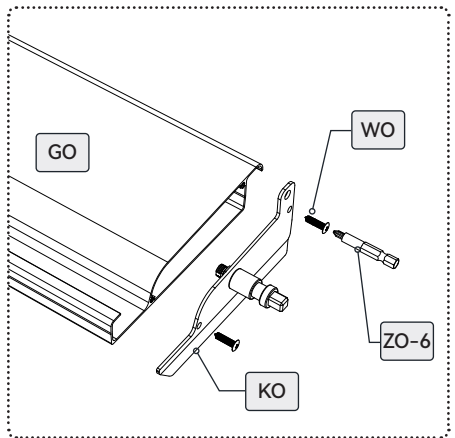
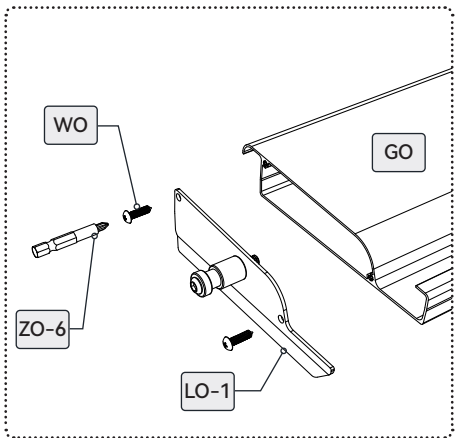

X25



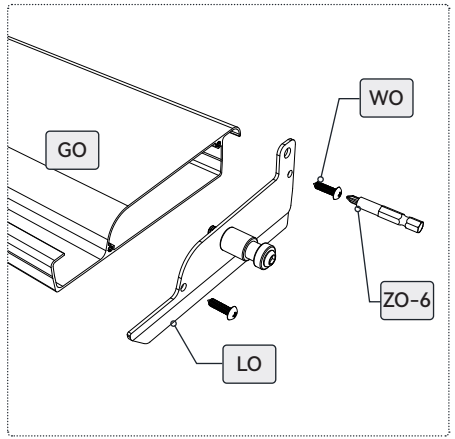
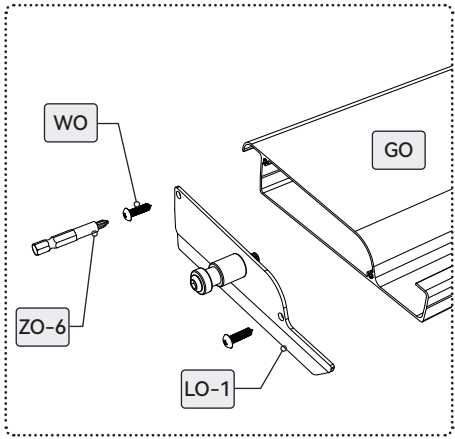
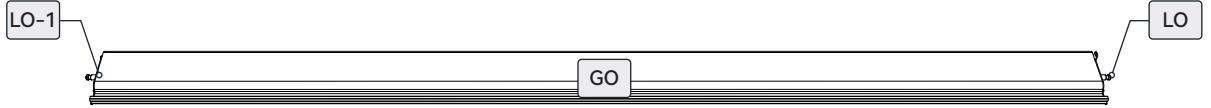
Install the louver cover on both sides of the installed louvres and the spindle louver cover on both sides of the louvres.

| | | | | | | | | | | | |
|----|---|----|----|---|------|---|-----|-----|------|---|-----|
| GO |  | 25 | WO |  | 4x16 |  | PH2 | 100 | ZO-6 |  | PH2 |
|----|---|----|----|---|------|---|-----|-----|------|---|-----|



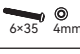
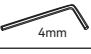



X1

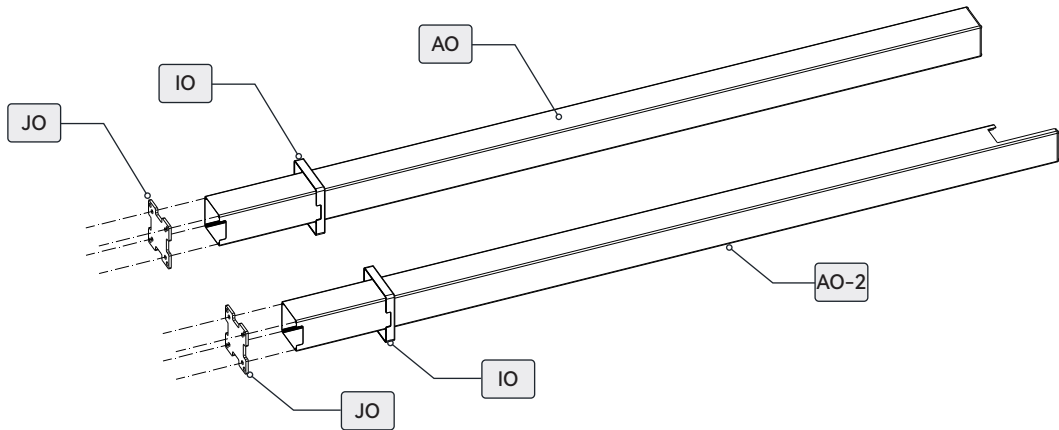


X24



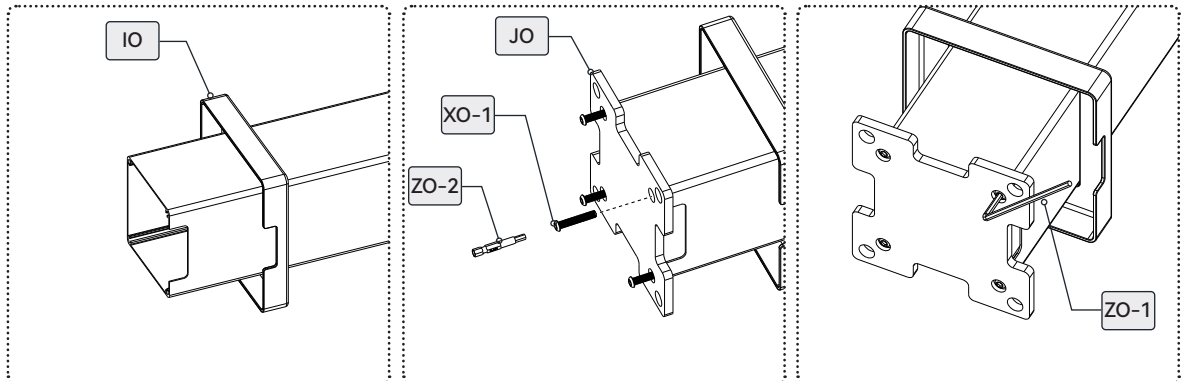
Install the post skirt first, put the notch of the post skirt against the notch of the post, and then install the base plate to fix it to the bottom surface of the post.

| | | | | | | | | | | |
|------|---|---|----|---|---|------|--|----|------|---|
| AO |  | 2 | IO |  | 4 | XO-1 |  6×35 4mm | 16 | ZO-1 |  4mm |
| AO-2 |  | 2 | JO |  | 4 | | | | ZO-2 |  4mm |





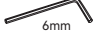
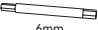
Attention:

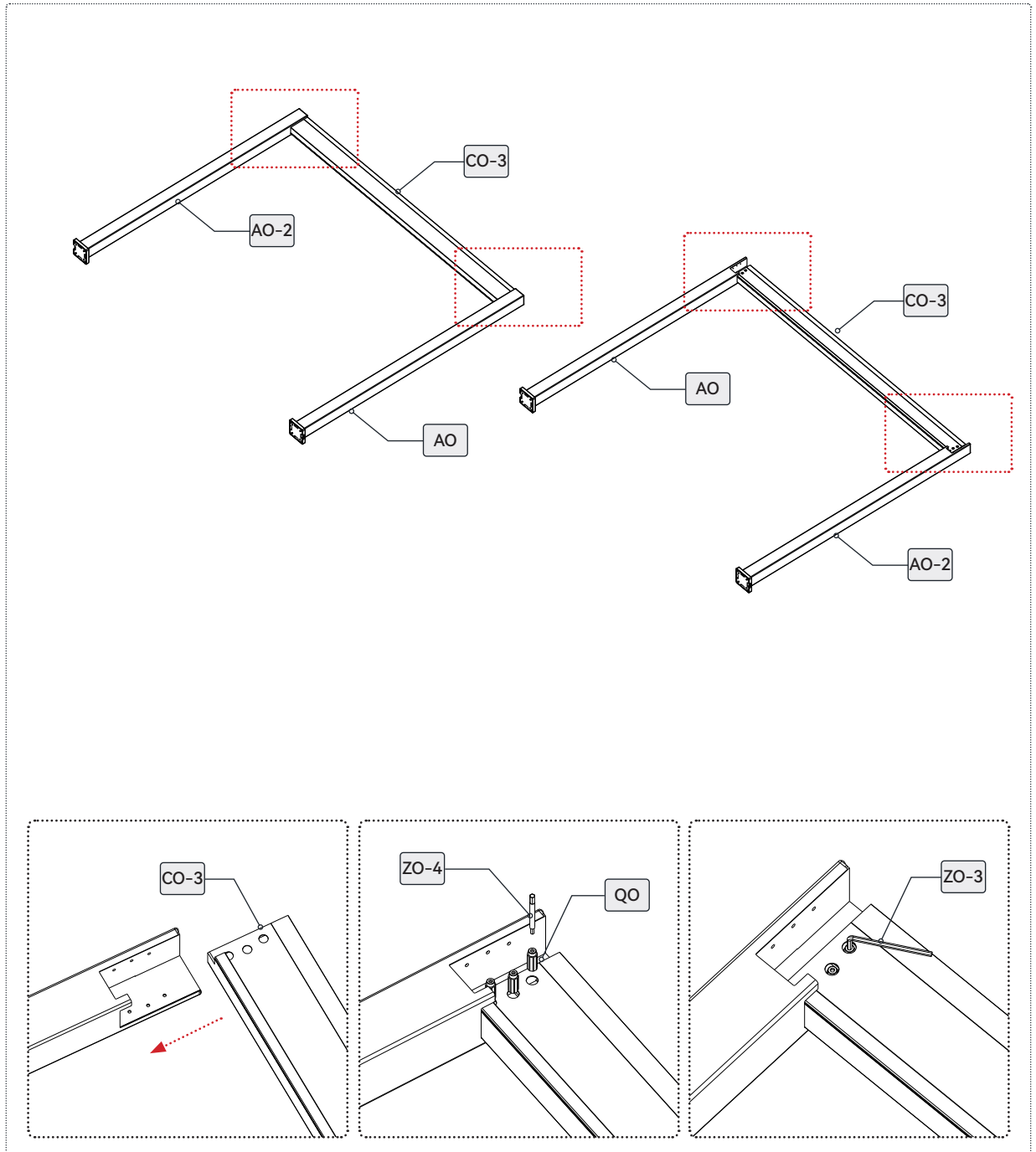
Please fasten the screw by hand after installing these screws.





Placing the post flat on the ground, complete the installation of the side beams.



| | | | | | | |
|------|---|---|----|---|---|----|
| CO-3 |  | 2 | QO |  |  | 12 |
|------|---|---|----|---|---|----|

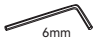
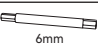
| | | |
|------|---|-----|
| ZO-3 |  | 6mm |
| ZO-4 |  | 6mm |

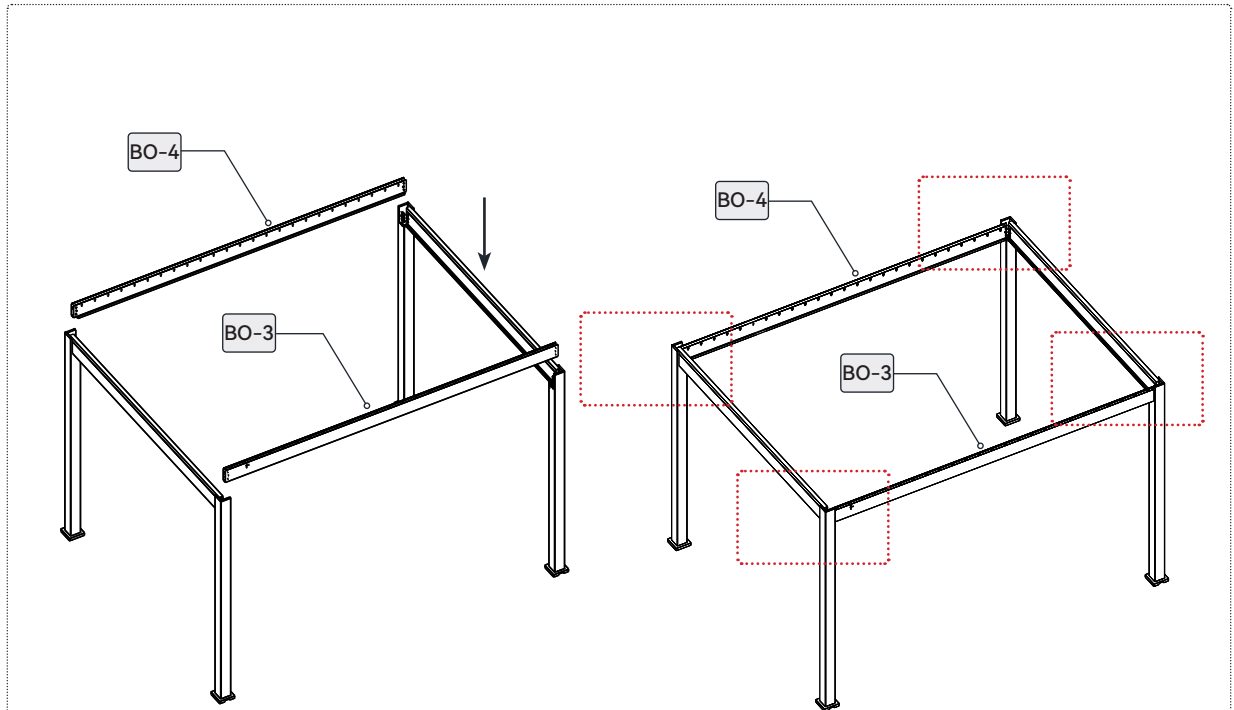


Put up the completed side beams and then install the main beams at each end.

| | | |
|------|---|---|
| BO-3 |  | 1 |
| BO-4 |  | 1 |

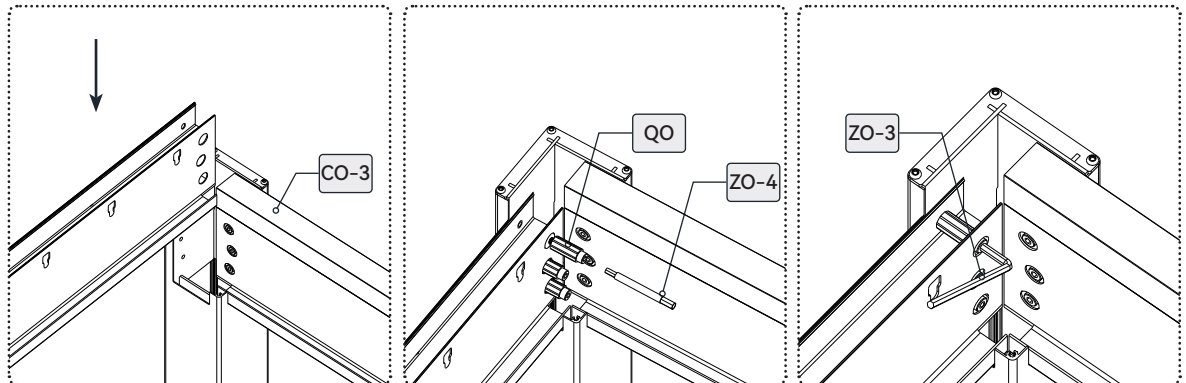
| | | | | |
|----|---|---|-----|----|
| QO |  |  | 6mm | 12 |
|----|---|---|-----|----|

| | | |
|------|---|-----|
| ZO-3 |  | 6mm |
| ZO-4 |  | 6mm |

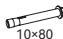


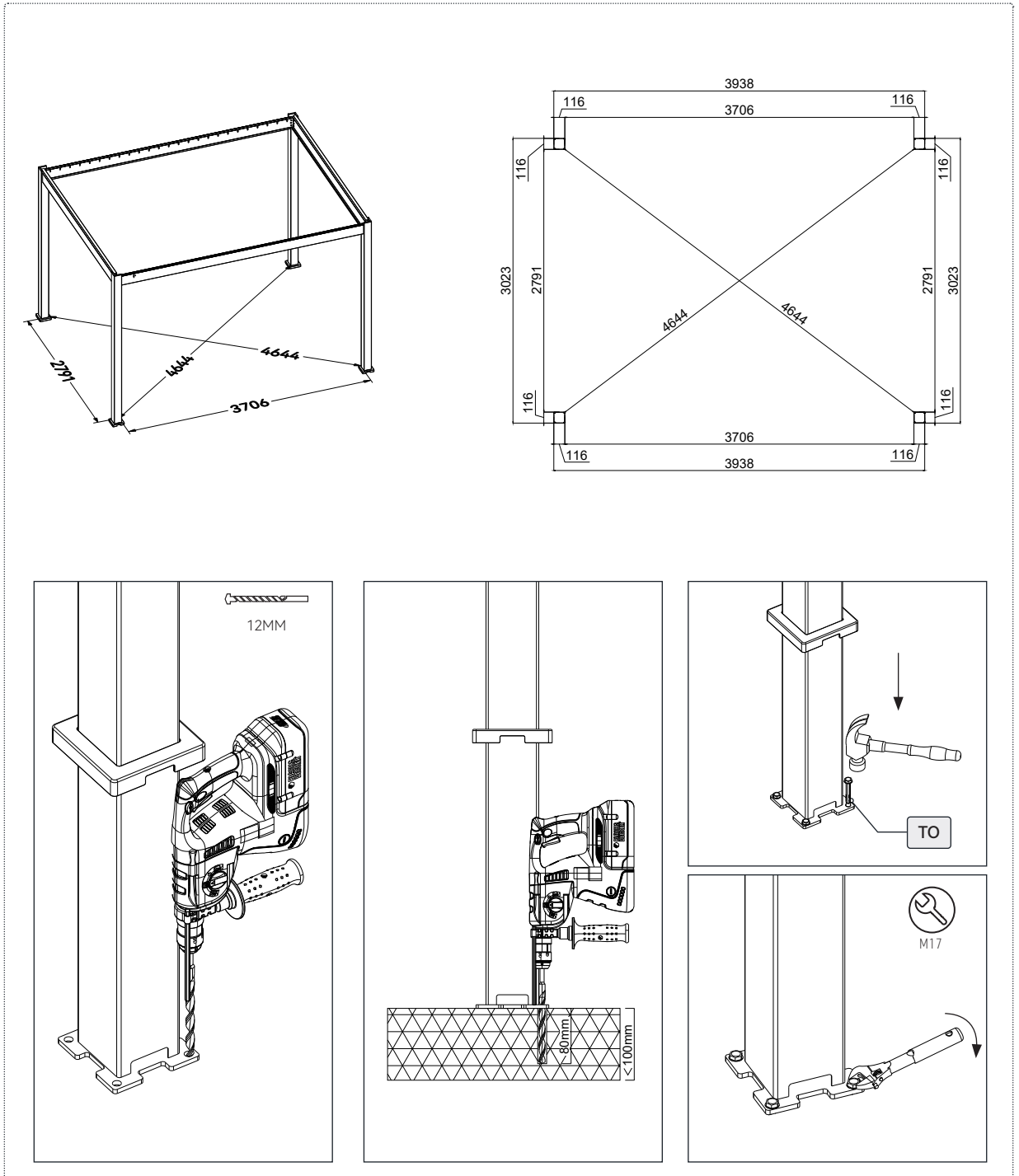
Attention:

Please fasten the screw by hand after installing these screws.

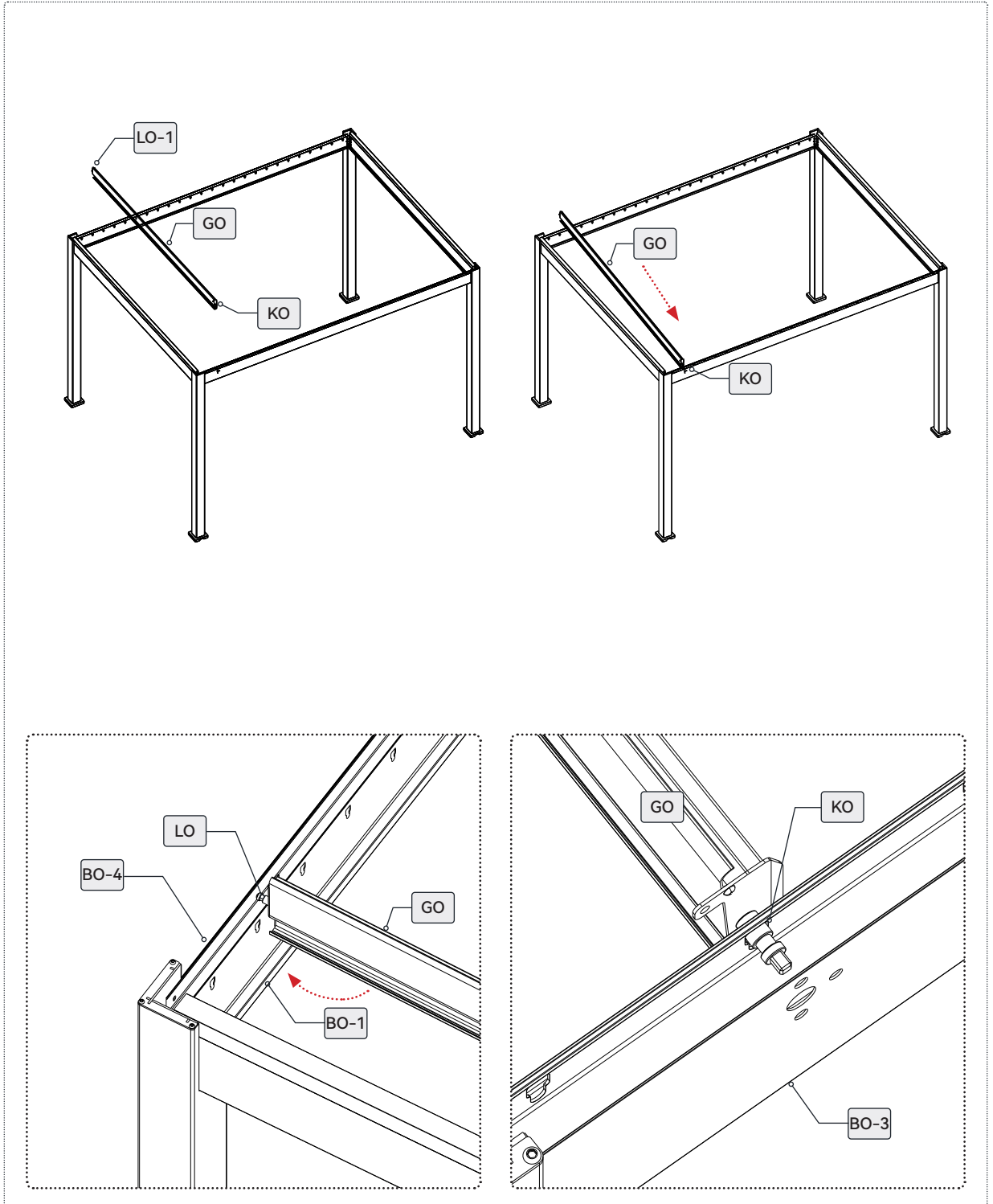


1. Check the dimensions as the diagram shows.
2. Move the bottom of the columns according to the dimensions in the diagram
3. Use a 12mm impact drill bit to guide the holes, then assemble the expansion screws and tighten them with a M17 spanner.

| | | |
|----|---|----|
| TO |  10x80 | 16 |
|----|---|----|

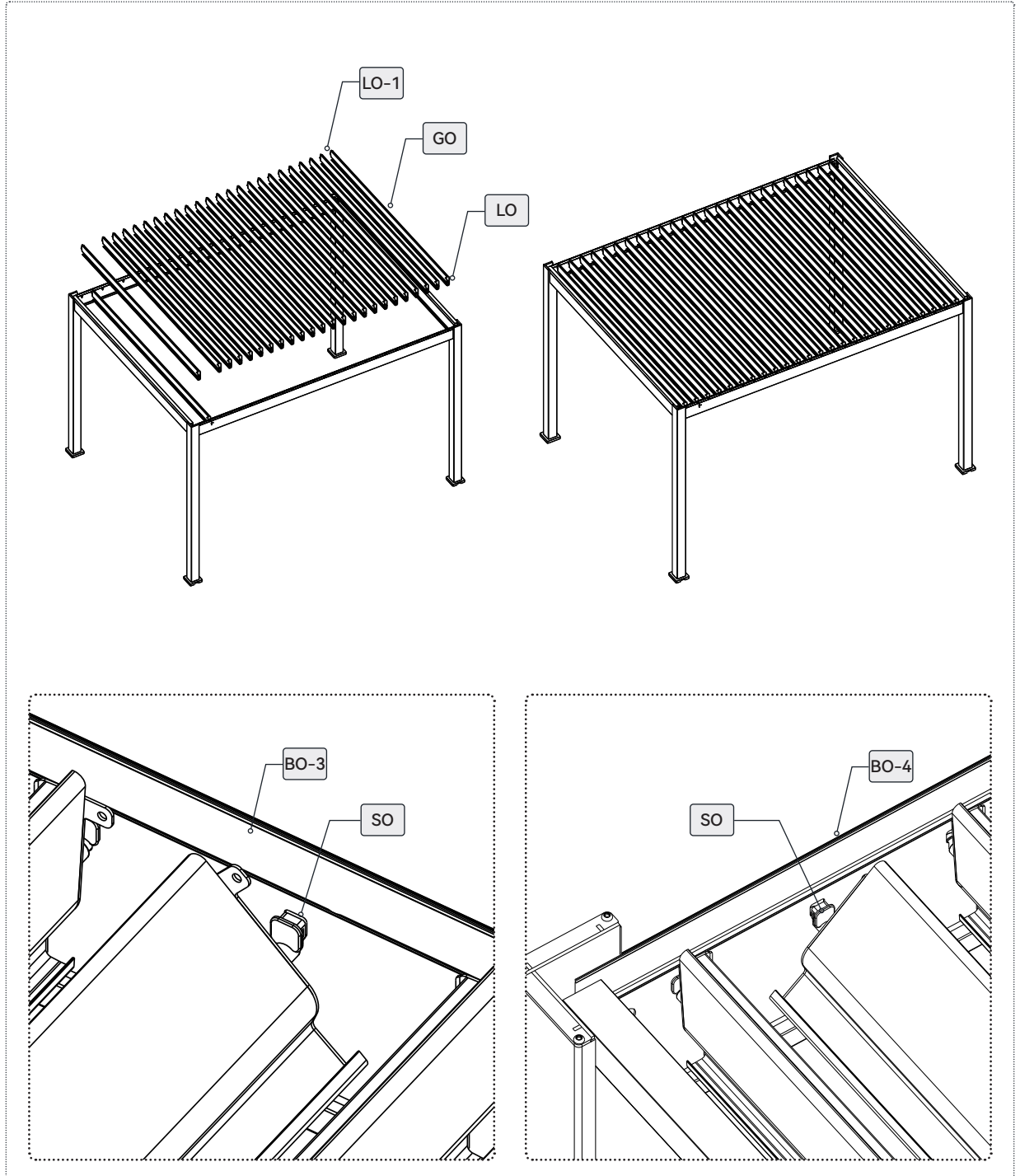


Install the louvres with spindles first, placing one side completely into the hole cut in the beam and then the other end.







Put in the other louvers and seal the end caps


| | | |
|----|---|----|
| SO |  | 50 |
|----|---|----|

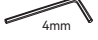



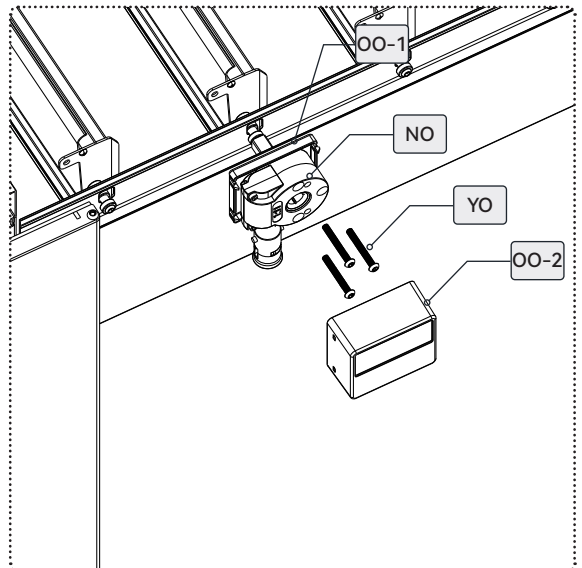
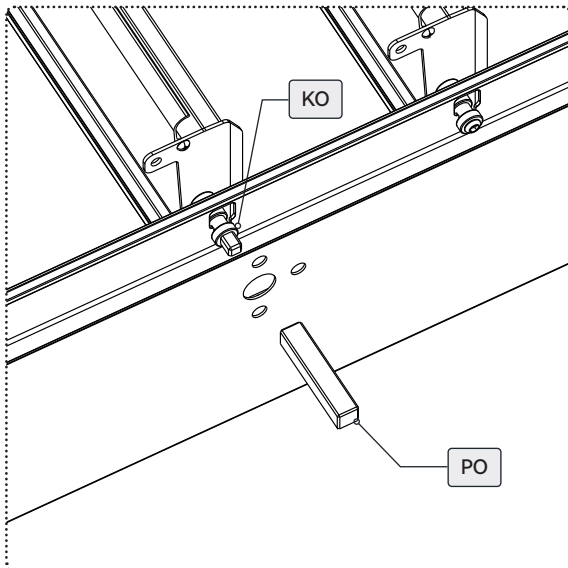
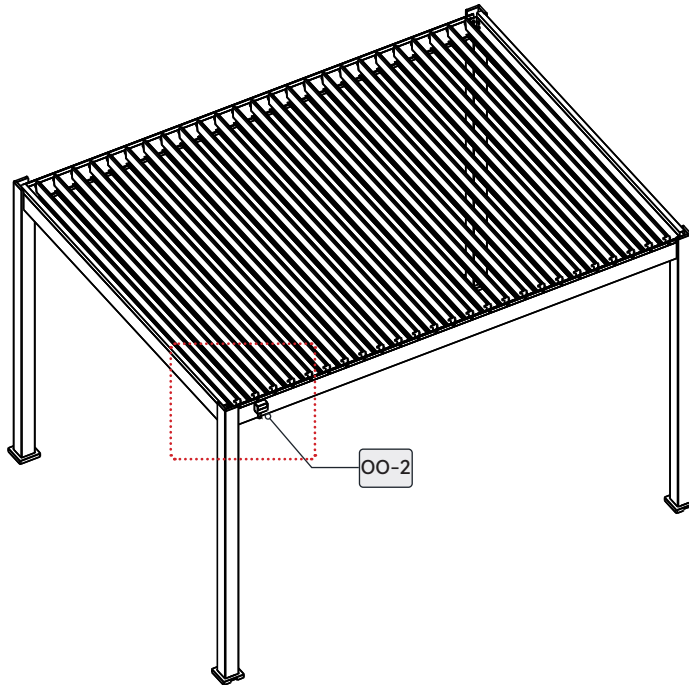
Locate the openings on the outside of the main beam and attach the holes of the connectors to the spindle, then install the plastic case and gearbox.

| | | |
|------|---|---|
| OO-1 |  | 1 |
| OO-2 |  | 1 |

| | | |
|----|---|---|
| PO |  | 1 |
| NO |  | 1 |



| | | | | |
|----|---|------|-----|---|
| YO |  | 6x45 | 4mm | 3 |
|----|---|------|-----|---|




| | | |
|------|---|-----|
| ZO-1 |  | 4mm |
| ZO-2 |  | 4mm |

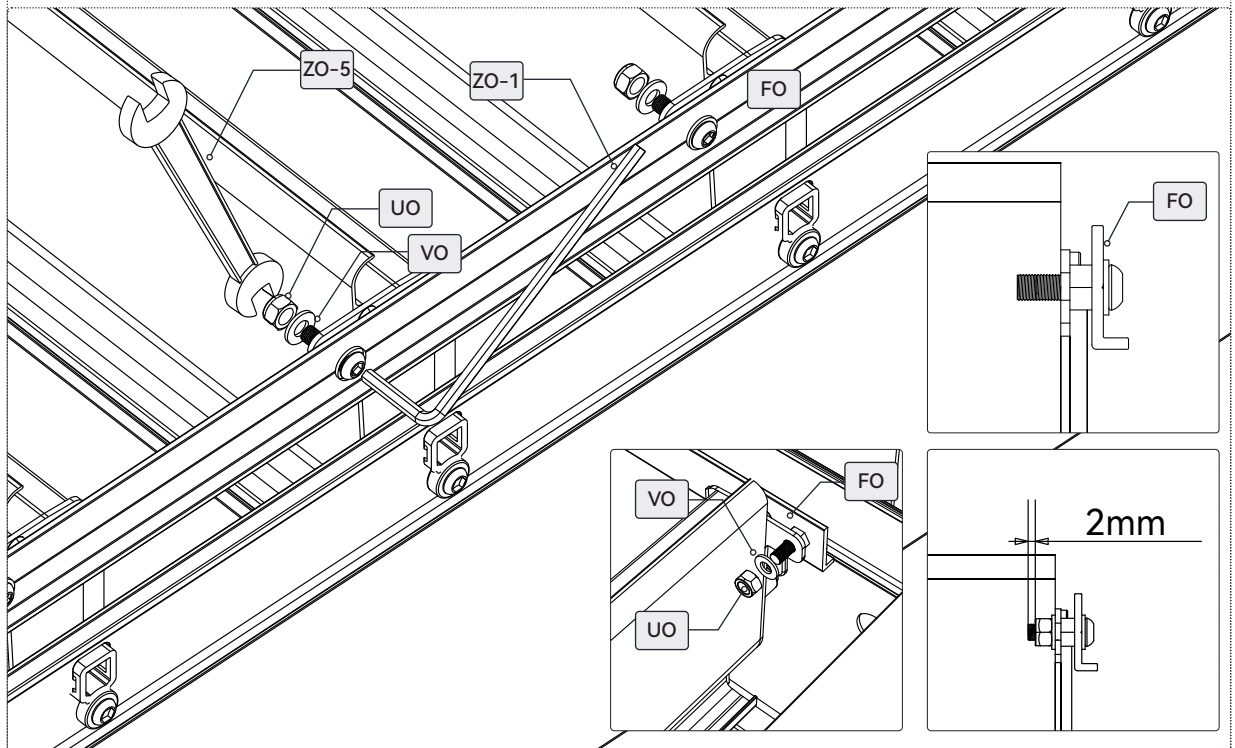
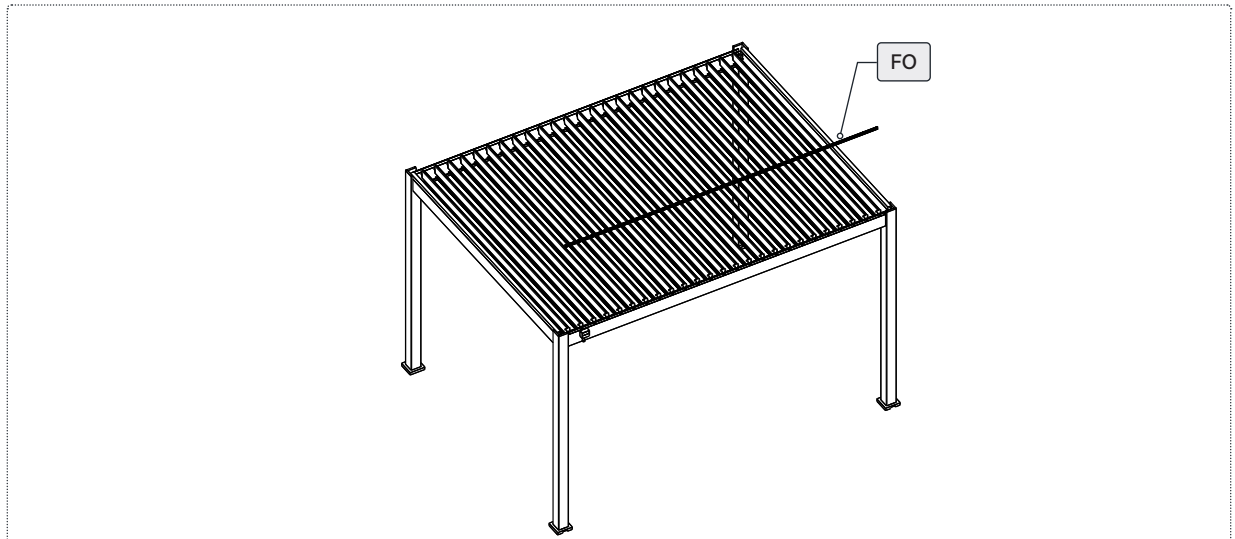


Complete the connection of the connecting angle aluminum.

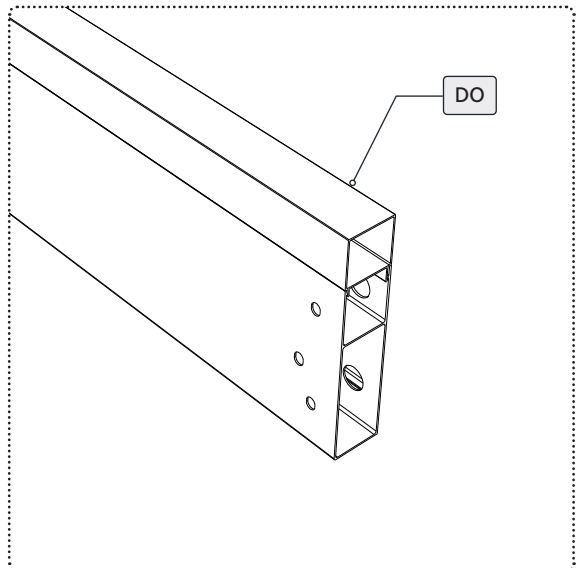
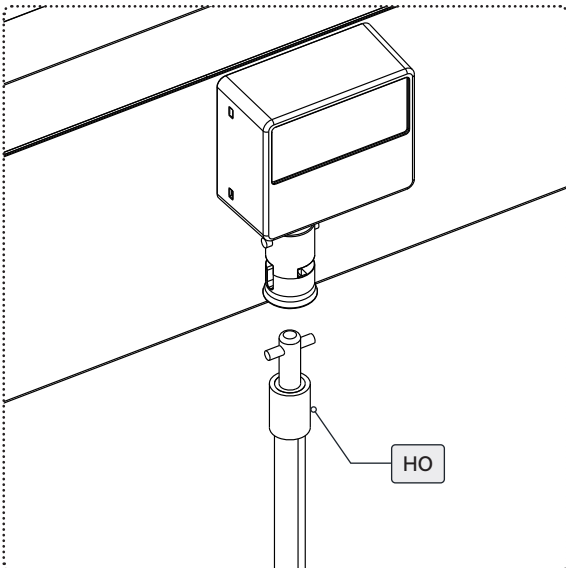
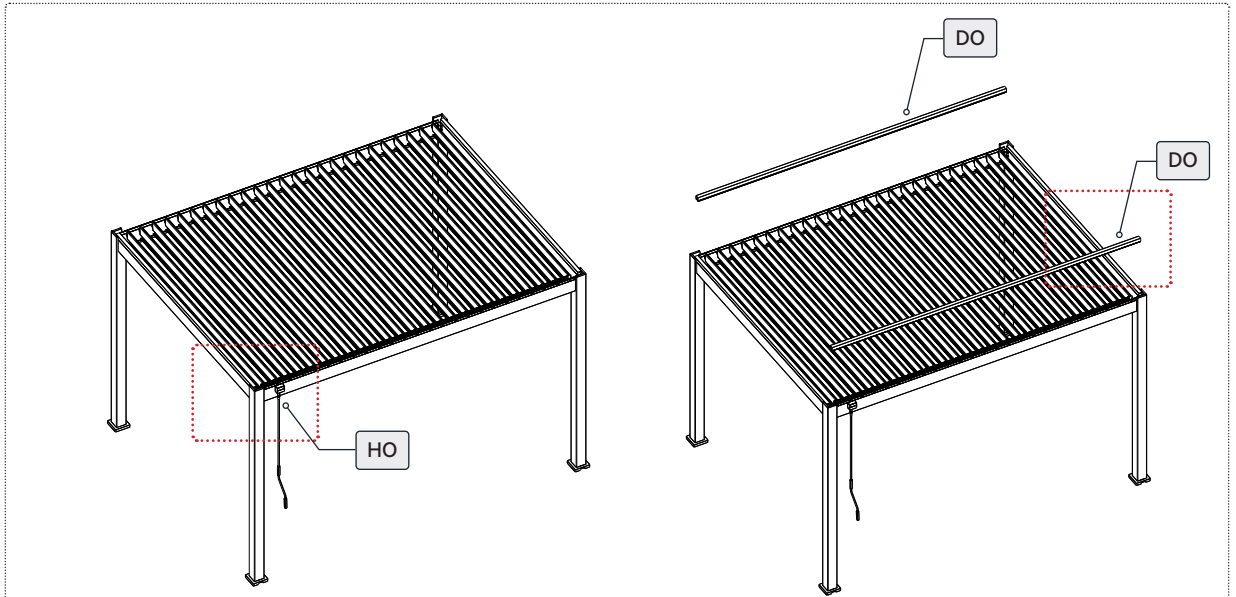
| | | |
|----|---|---|
| FO |  | 1 |
|----|---|---|

| | | |
|----|---|----|
| UO |  | 25 |
| VO |  | 25 |

| | | |
|------|---|------|
| ZO-1 |  | 4mm |
| ZO-2 |  | 4mm |
| ZO-5 |  | 10mm |



Before completing the installation, a function test of the slats is recommended. This helps to identify any damage that may not be visible to the naked eye. Close the slats and ensure that they slide smoothly into each other. There should be no contact, misalignment, or scraping noises between the slats.



1. Ensure that the connecting screws between the beam and column are fully installed and tightened to prevent structural instability caused by loose screws.
2. Align the end cap vertically with the hole and apply even pressure with your thumb. A "click" sound indicates that the clip is securely engaged.

| | | |
|----|---|----|
| RO |  | 24 |
|----|---|----|

